



Earth Leakage Relay Model i-AB

Application

The Bramco Earth Leakage Relay i-AB, has been designed to detect Earth Fault Currents flowing in a power system.

The i-AB Offers:

- Machine or power operated
- Latching/non-latching mode switch
- Fail safe or non-fail safe operation
- Adjustable time discrimination
- Adjustable trip current point
- LED indication of power on
- LED warning when the leakage current rises above the trip current set point
- LED indication when latched
- Current loop or voltage output 4-20mA or 2-10V
- Use with range of Bramco Earth Leakage toroids.

Specifications

Supply

- 110VAC 50/60Hz Standard
- 240VAC 50/60Hz Optional
- 24VAC or DC 50/60Hz Optional
- 48VDC 50/60Hz Optional

Housing

- High impact Poly Carbonate

Voltage Tolerances

- -30% to +20%

Trip Current

Adjustable from 50 to 500mA
Optional 1A, 2A and 5Amp

Trip Delay

Adjustable from 30 to 500mS
Optional 1secs, 2secs and 5secs

Bramco Contacts

19 Aruma Place
Cardiff, NSW 2285
AUSTRALIA

Telephone +61 2 4954 4721
Email sales@bramco.com.au
www.bramco.com.au

Ordering Information

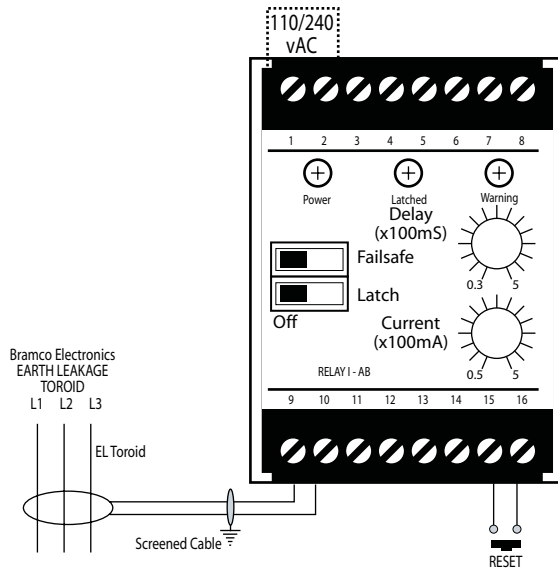
There are a variety of different Part Numbers for the i-AB Relay. Please contact Bramco to discuss your requirements.

A00019A	500mA-500mS 110vAC
A00937A	500mA-500mS 240vAC
A00008A	500mA-500mS 24-48vAC/DC
A00270A	500mA-500mS 110VAC 4-20mA Output

A00571	100mA-100mS 110V
A00572	100mA-100mS 24v
A00752	30mA-100mS 110v (Non adjustable Trip)



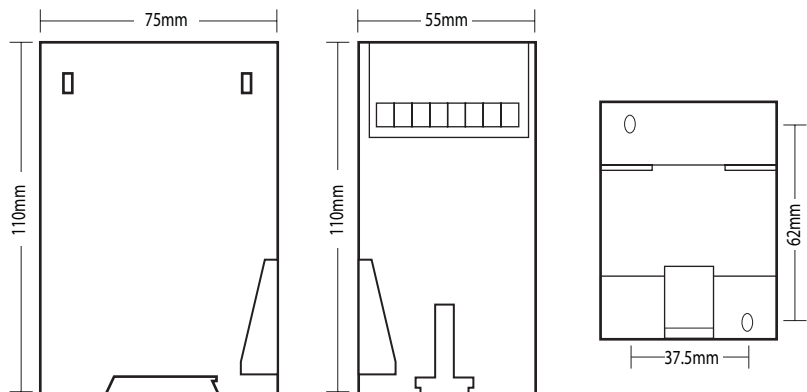
Typical Installation



Approvals/Conformances

N.S.W Mines MDA EXib 11317
 QLD Mines QMD 947346X
 AS 2081:2002.3-1988 Compliant
 (both approvals for 500mA/500mSec only)

Outline and Mounting Hole Dimensions



Connection Details

