

## Frozen Contactor Relay i-F

### Application

The Bramco i-F has been designed to detect a voltage leak across the contacts of any type of electrical switching device - for the protection of personnel from electrical shock or the risk of electrical sparking.

### The i-F Offers:

- Internal Power Supply
- Timer delay function adjustable to 4 - 20 and 10 - 60 (depending on model) seconds for situations where the system is directly switching motors
- Detection circuit is non-fail safe and energises on detection of leakage
- Factory set to detect a leakage of 24 volts or more
- LED indication of power on
- LED warning when the Frozen Contactor/Loss of Vacuum Fault rises
- Usage in conjunction with a precision Isolation Barrier suitable for systems up to 1100v.

### Operational

The i-F is designed to detect a leakage of voltage across a switching device of 24 volts or more when the switching device is supposedly in the open or tripped position. A barrier is used in conjunction with this relay. The barrier is a three phase unit used to isolate high voltages from the detection equipment. As the barrier is a three phase unit leakage on any or all of the phases being monitored will be detected and cause a trip. The detection circuit is non fail safe and energises on detection of leakage. The unit is internally powered from the power supply card.

### Specifications

**Supply** 110VAC 50/60Hz Standard  
240VAC 50/60Hz Optional  
24VAC or DC 50/60Hz Optional  
48VDC 50/60Hz Optional  
- Operational for 25 seconds on removal of module supply.

**Material Housing:** High impact poly carbonate

**Voltage Tolerances:** -30% to +20%  
-100% to 2+ seconds

**Leakage:** Factory set to detect 24 volts or more

**Relay Rating:** - Coil to contact 2.5kV  
- Electrical life greater than 2x10<sup>5</sup> operation at maximum load

**Relay Contacts:** 2 pole changeover 5A-240V

**Base Mounting:** DINrail or screw down

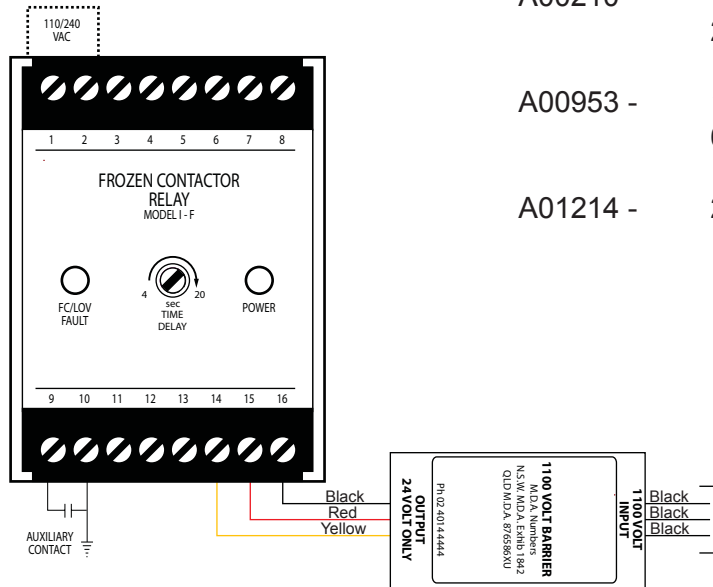
### Bramco Contacts

19 Aruma Place  
Cardiff, NSW 2285  
AUSTRALIA

Telephone +61 2 4954 4721  
Email [sales@bramco.com.au](mailto:sales@bramco.com.au)  
[www.bramco.com.au](http://www.bramco.com.au)



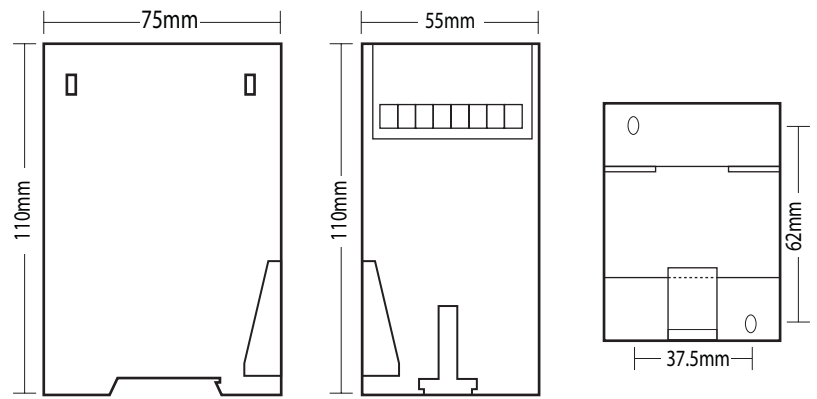
## Typical Installation



## Ordering Information

A00210 -	110vAC/240vAC 20 Second Delay
A00953 -	110vAC/240vAC 60 Second Delay
A01214 -	24-48V AC/DC

## Outline and Mounting Hole Dimensions



Unit can be mounted on Din Rail or screwed down via mounting holes

## Connection Details

