

Pre Start Warning Control Relay (PSW2)

Application

The Bramco Pre-Start Warning Control Relay has been designed to operate in conjunction with PSW400 Pre-Start warning systems to actively control and monitor Pre-Start Warning systems associated with conveyor control.

Operational

The PSW2 controls Pre Start and Post Start timing operations for conveyer Pre-Start Warning systems. The Pre-Start Warning system will annunciate their audio and visual warning prior to motor start for a period set on the PSW2. The Pre-Start Warning will continue to annunciate until the period set as Post Start time has expired.

If at any time during the Pre Start Sequence should a fault occur in the Pre-Start Warning system, the PSW2 will stop the Pre-Start sequence and report the event visually via LED notification on the front of the relay as well as close the Fault Contacts.

Features

- LED Status
- Active Voltage Monitoring
- Fault indication via LED status and contact outputs
- External reset function
- Selectable Pre-Start and Post-Start timing from 5 to 30 seconds
- Fail-safe Operation
- Surge protection to external Pre-Start Warning control lines

Specifications

Supply:	24VDC (± 15%)
Pre-Start Time:	Selectable 5 - 30 secs
Post-Start Time:	Selectable 5 - 30 secs
Relay Contact Rating:	2.5A
Construction:	High Impact PolyCarbonate
Mounting:	Din Rail / Screw down

Ordering Information

A00722B	PSW2 Control Relay
A00001	Pre-Start Warning Alarm
	Visual or
A00986	PSW400 Assembly
A00987A	PSW400 Control
B70211	PSW400 Cap Battery

Bramco Contacts

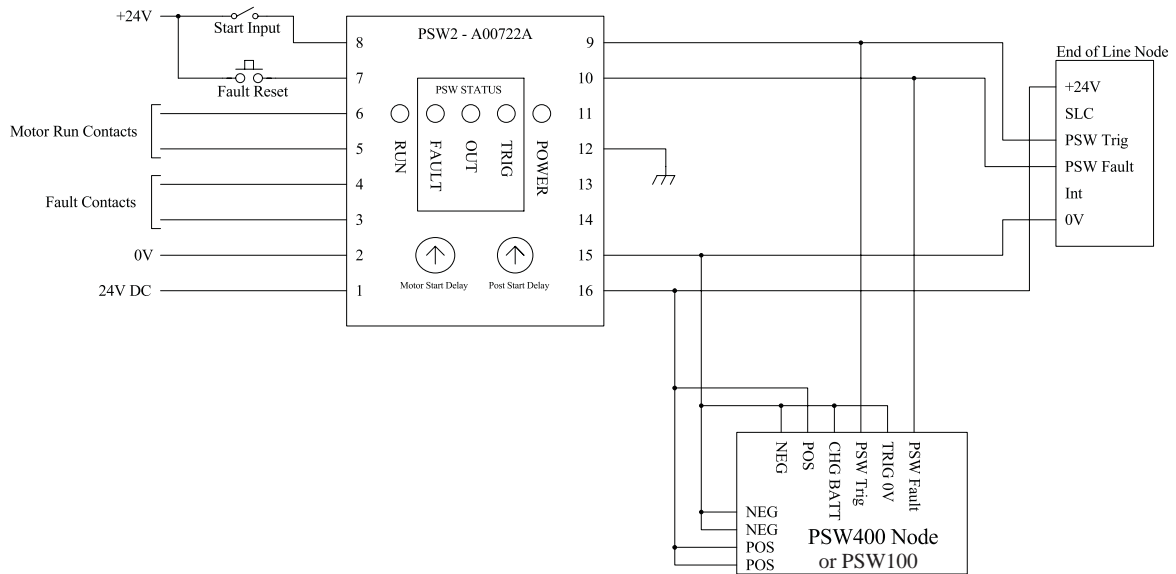
19 Aruma Place
Cardiff, NSW 2285
AUSTRALIA

Telephone +61 2 4954 4721
Email sales@bramco.com.au
www.bramco.com.au

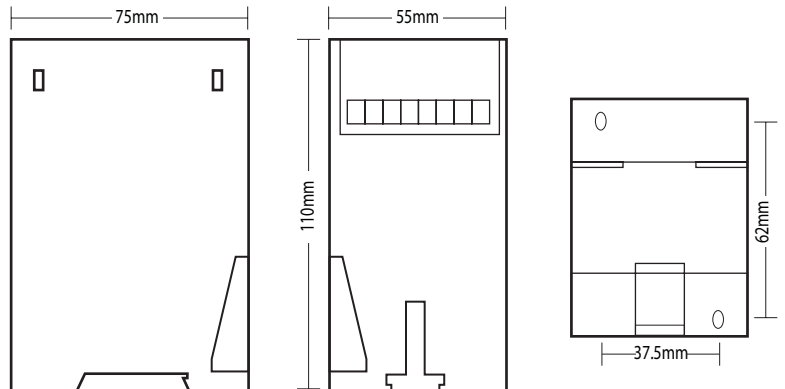


Pre Start Warning Control Relay (PSW2)

Typical Installation



Outline and Mounting Hole Dimensions



Connection Details

