

## Isolation Barrier

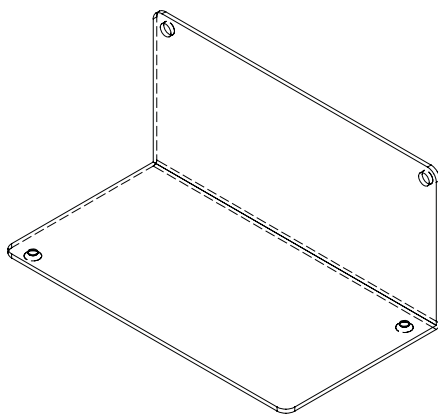
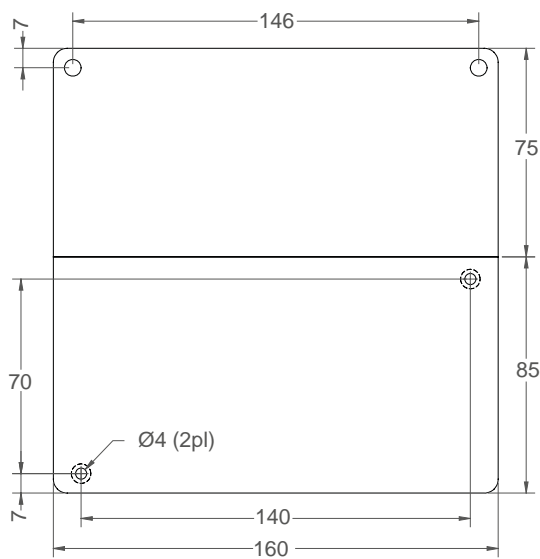
### Application

Leaders in Innovative Protection Systems, Bramco's Latest 1100V and 4160V Isolation barriers are compliant with all relevant statutory and industry standards. The bar3 is a three phase unit designed to isolate high voltages from detection equipment.

The 3300V barrier uses the 1100V barrier box with an additional 3 inductors that provide additional impedance prior to connecting to the 3 phase mains. This entire assembly is enclosed in a plastic enclosure with a clear lid.

### Specifications

- 415 - 1100 volt input
- 3300 - 4160 volt input
- 24 volt AC output
- Supplied complete with mounting bracket.  
Image below of A01180



### Ordering Information

A01180 - bar3 Isolation Barrier 415-1100V  
A01230 - bar3 Isolation Barrier 3300-4160V

Please contact Bramco or your local Distributor for your specific needs.

The bar3 comes with a minimum 2 year warranty.

### Compliance:

ANZEx 11.3014X

### Bramco Contacts

19 Aruma Place  
Cardiff, NSW 2285  
AUSTRALIA

Telephone +61 2 4954 4721  
Email [sales@bramco.com.au](mailto:sales@bramco.com.au)  
[www.bramco.com.au](http://www.bramco.com.au)

