



Live Line Indicator - LLi

Application

The Bramco Live Line Indicator (LLi) provides a visual display of the status of each phase of a 3 phase AC load circuit.

Features:

The LLi is a compact, panel mounted, low power, three phase monitor device to provide visual indication of load phases being present.

The three load phases and Earth are connected to the LLi.

The LLi Remote Display Indicator is mounted on the door panel and plugs into the matching socket on the LLi.

The remote display has an extra low voltage supply, which reduces the risk of line voltage being present at the front panel.

Normal:

- No AC - three phase LEDs should be Off.
- AC On - the three phase LEDs will be On.
- If any or all the LEDs are On, the circuit is alive.

Switch Gear Fault:

- If any or all of the three phase LEDs are On, indicates a load phase not isolated.

LEDs for:

- Phase A U
- Phase B V
- Phase C W

Easy Installation:

Mount the LLi close to the point of connection. Connect the 3 phase wires and the Earth Wire.

Fit the LLi Remote Display into 22.5mm hole provided on the panel fascia. Plug the 4 way connector from the display into the 4 way socket on the LLi.

The LLi is now ready to operate.

Specifications

System Voltage - 660-1100v 50/60Hz or
- 380-480v 50/60Hz

Phase Voltage - 240-700vAC

AC Voltage - 2000vAC 1 minute (PH to E)

Phase Loading to Earth - 100k Ohms at 50Hz

DC Voltage - 3500vDC 1 minute (Ph to E)

Phase Loading to Earth - 20M Ohms at DC

Operating Temperature - 0 - 50°C

Enclosure LLi Module

- 70W x 155L x 55H
- Encapsulated Polycarbonate construction
- 4 x 140mm x 50mm pitch x dia 4.5mm
- 3 x phase and earth flexible wires out one end, 1.5m long each
- Remote Display Socket, 4 way phoenix

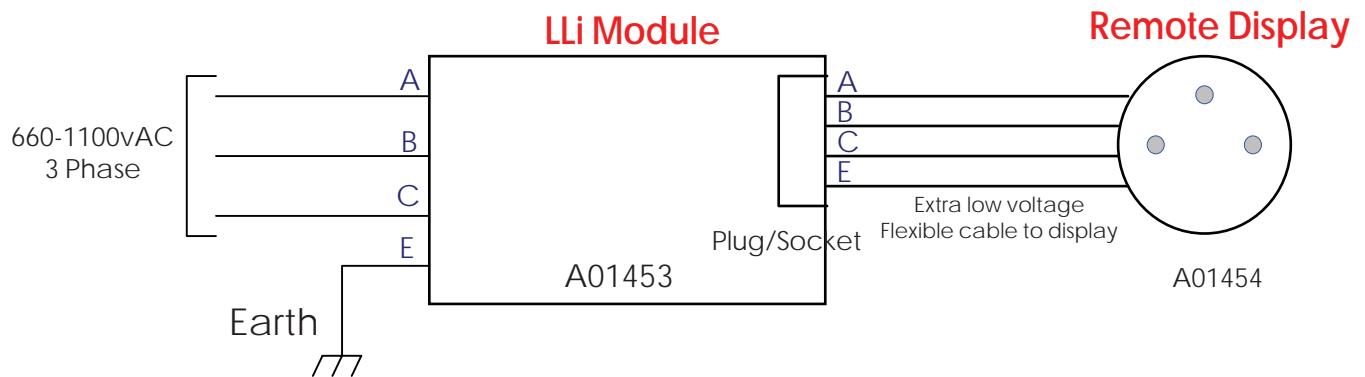
Enclosure Remote Display

- Panel cut out 22.5mm diameter
- Bezel 30mm diameter x 14mm projection
- Depth 25mm excluding cable
- Connection to module through 2m cable wired into a 4 way phoenix plug
- Weighs 55gms

Live Line Indicator - LLi

Ordering Information

A01453	LLi Module (660-1100vAC) JOY WITH LLD
A01453	LLi Remote Display (reduced depth direct wired PCB)



Bramco Contacts

19 Aruma Place
Cardiff, NSW 2285
AUSTRALIA

Telephone +61 2 4954 4721
Email sales@bramco.com.au
www.bramco.com.au

