



Overload Relay i-K

Application

To provide motor, outlet and cable protection suitable for installations where space and vibration are of concern.

Operational

A wide range is provided from one set of current transformers. The current range is adjustable between 15 and 450 amps by adjustment on two selector switches. Two performance curves are integral, one normal and one extended for slow starting loads such as fans.

This function is powered from within the module. When combined with a short circuit one extra selector is added to set the short circuit trip point as a multiple of the overload setting. The power supply to this unit is designed to hold the function in its healthy mode for 2 seconds under no volt conditions thus preventing premature dropout under system fault conditions.

The i-K Offers

- Fail-safe or non fail safe operation in-built
- Two time range settings
- Usage in conjunction with Bramco high accuracy current transformers 1000:1 (2 required for each overload relay)
- Reliability and high sensitivity
- Compact in size
- Terminals protected against accidental contact
- Optional two overload curves

Specifications

Supply

- 110vAC 50/60Hz standard
- 240vAC 50/60Hz optional
- 24v-48vDC (special order)

Voltage Tolerances -30% to +20%

Trip Current - User Selectable Ranges
15 - 45Amp : 100 R Burden
50 - 150Amp : 30 R Burden
150 - 450Amp : 10 R Burden

Load Current Label Provided

Relay Contacts

- 2 pole changeover 5A-240v Intrinsic safety rating - 100vA

Materials High Impact PolyCarbonate

Base Mounting Din Rail or screw down

Bramco Contacts

Head Office

Bramco Electronics ABN 49 327 604 798
Unit 2&3/2 Callistemon Close
Warabrook NSW 2304
PO Box 241 Hunter Region MC
NSW 2310 AUSTRALIA

Telephone +61 2 4014 4444
Facsimile +61 2 4967 4100
Email sales@bramco.com.au
www.bramco.com.au

Distributor Locations

- Newcastle - NSW
- Cairns - QLD
- Emerald - QLD
- Wollongong - NSW
- Brisbane - QLD
- Perth WA

South Africa:

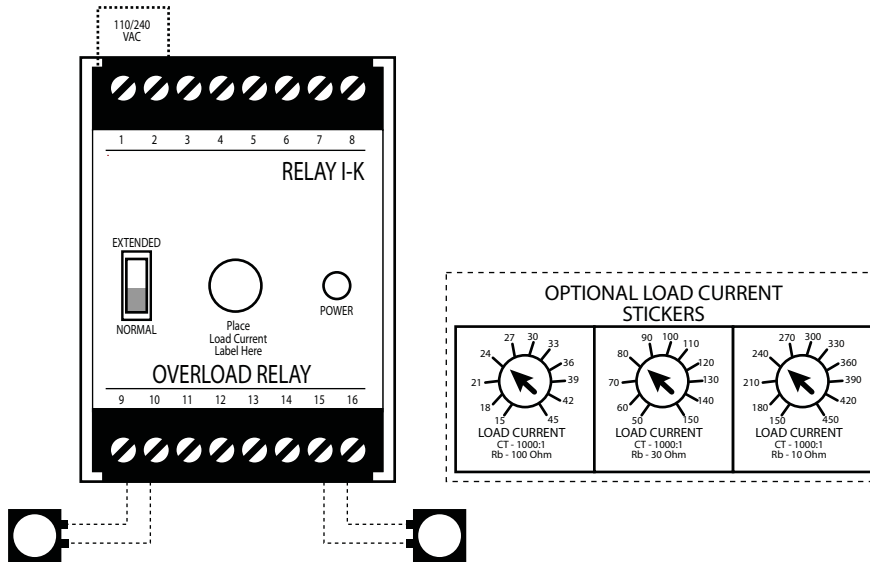
- Heidelberg - Emis Sales
- Delmas - Bramco South Africa

USA:

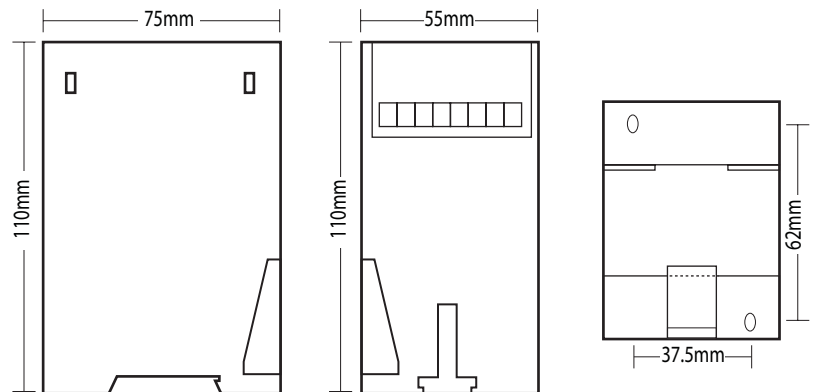
- Bland, VA



Typical Installation

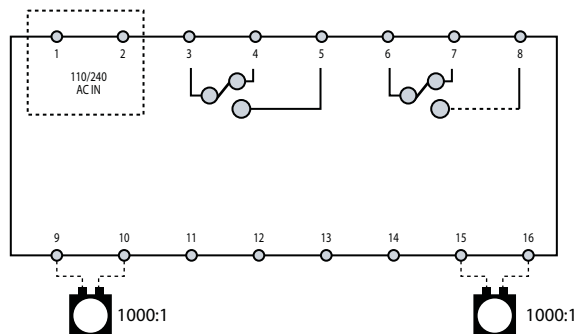


Outline and Mounting Hole Dimensions



Unit can be mounted on Din Rail or screwed down via mounting holes

Connection Details



Ordering Information

A00012i-K Relay (specify voltage)
T10006 Current Transformer 1000:1