



Pilot Control IS Relay Model i-D

Application

The Bramco i-D has been designed to monitor the continuity of the Earth Circuit in a supply cable by grounding the pilot core via a diode, polarised positive to earth, and to allow remote start/stop operation by momentarily shorting a 100 Ohm resistor in the pilot circuit (which closes the relay) and opening the pilot with a stop button to open the relay.

The i-D Offers:

- Remote start/stop via pilot wire
- Detection of pilot wire shorted to earth
- LED indication of power on
- LED healthy indication when earth continuity of pilot is below 45 Ohms
- Higher (non-approved) maximum resistance range available to special order

Specifications

Supply

- 110vAC 50/60Hz standard
- 240vAC 50/60Hz optional
- 24vAC or DC 50/60Hz optional
- 48vDC 50/60Hz optional

Voltage Tolerances

- -30% to +20%

Operational

- from 0 to 145 Ohms, 100 Ohms start resistance drop

Pilot Wire

- Diode termination to earth at remote end of cable and 100 Ohm for start/stop circuit

Relay Contacts

- 2 pole changeover 5A-240v intrinsic safety rating - 100vA

Base Mounting

- DIN rail or screw down

Materials

- High impact poly carbonate

Bramco Contacts

Head Office

Bramco Electronics
ABN 49 327 604 798

Unit 2&3/2 Callistemon Close
Warabrook NSW 2304
PO Box 241 Hunter Region MC
NSW 2310 AUSTRALIA

Telephone +61 2 4014 4444
Facsimile +61 2 4967 4100
Email sales@bramco.com.au
www.bramco.com.au

Distributor Locations

Australia:

- Newcastle NSW
- Cairns QLD
- Emerald QLD
- Cumberland Park, SA
- Wollongong NSW
- Brisbane QLD
- Perth WA

South Africa:

- Heidelberg - Emis Sales
- Delmas - Bramco South Africa

USA:

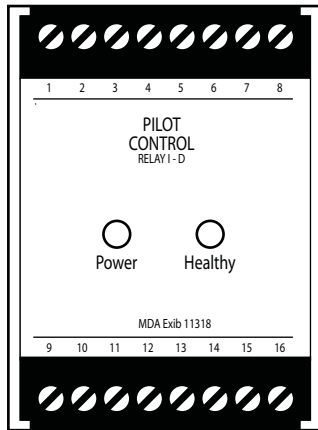
- Bland, VA

Brazil:

- Belo Horizonte



Typical Installation



Ordering Information

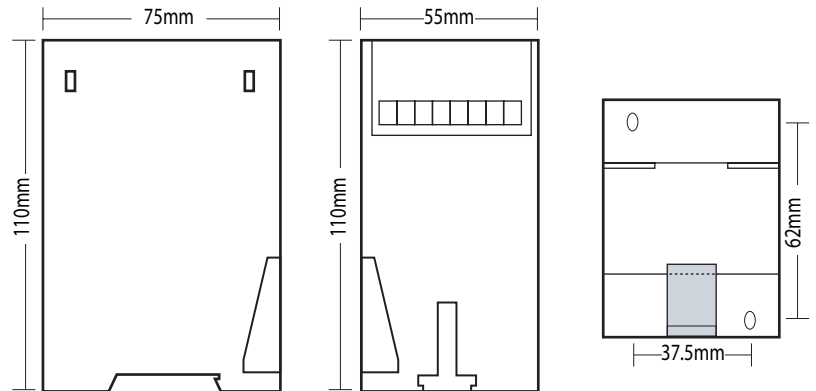
Order Codes:

A00251	110vAC
A00938	240vAC
A00253	24vAC/DC

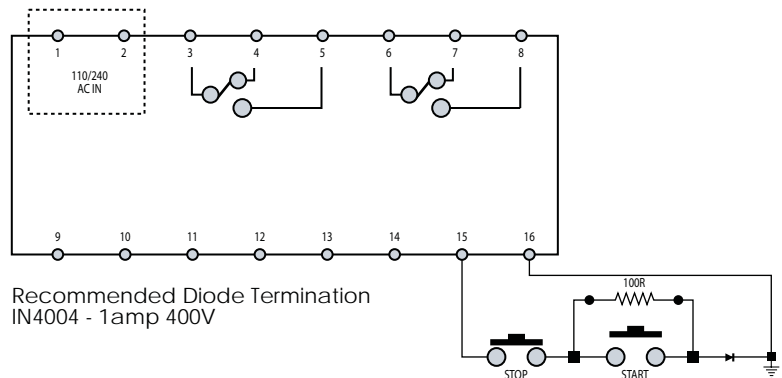
Approvals/ Conformance's

N.S.W Mines MDA EXib 11318
 QLD Mines QMD 947347X
 AS 2081:1234-1988
 2380.7-1987

Outline and Mounting Hole Dimensions



Connection Details



BRAMCO
ELECTRONICS

ABN 49 327 604 798
 PO Box 241
 Hunter Region MC
 www.bramco.com.au

© Copyright Bramco Electronics
 Specifications subject to change without notice April 2009