

Earth Leakage Relay Toroids

For use in conjunction with Bramco e11 Earth Leakage Relays, Designed to detect leakage current and transmit a proportional signal to an Earth Leakage Relay (e11). Surface mounting with 4 fixing slots (210mm supplied with separate mounting feet)

Installation:

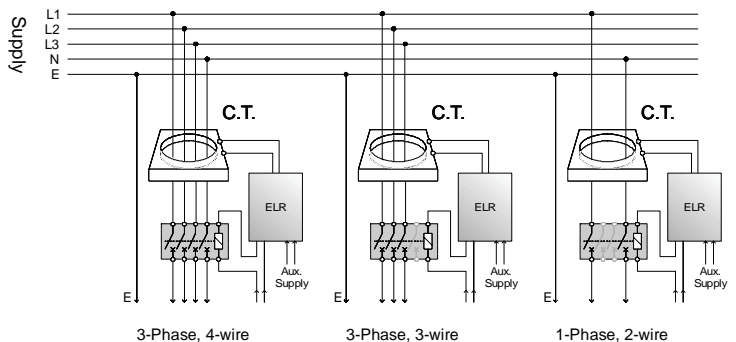
BEFORE INSTALLATION, ISOLATE THE SUPPLY TO THE CABLES THAT ARE TO BE PASSED THROUGH THE TOROID.

Installation of the toroid, along with the Earth Leakage Relay must be carried out in accordance with the latest wiring practices and regulations.

Specifications:

Size availability*:	35mm Ø 70mm Ø 120mm Ø 210mm Ø
*internal diameter	
Rated system voltage:	720VAC
Insulation level:	3kVAC
Current ratio:	1/1000
Max permissible current:	1kA continuous 5kA for 1.5Sec 100kA for 0.05Sec
Minimum IΔn setting on e11 relay:	0.03A - 35 & 70mm 0.1A - 120mm 0.3A - 210mm
Distance between toroid and relay:	50m Max
Ambient temp:	-20 to +60°
Housing:	Grey ABS
Mounting:	Panel mount only
Terminal conductor size:	≤ 2.5mm ² solid ≤ 1.5mm ² stranded

Functionality:



Ordering Options:

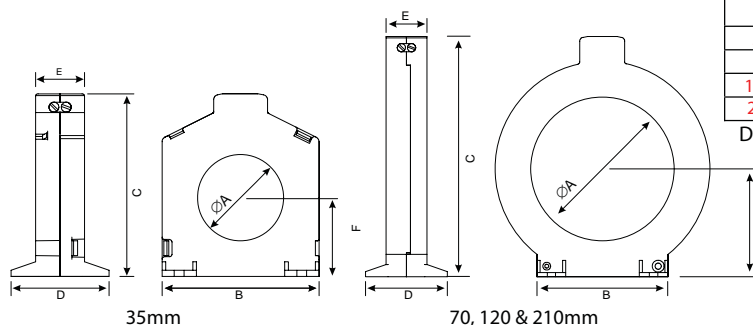
A01471 - e11 RELAY 24-48VACDC 35mm TOROID
 A01472 - e11 RELAY 24-48VACDC 70mm TOROID
 A01474 - e11 RELAY 24-48VACDC 120mm TOROID
 A01475 - e11 RELAY 110-230VAC 35mm TOROID
 A01477 - e11 RELAY 110-230VAC 70mm TOROID
 A01478 - e11 RELAY 110-230VAC 120mm TOROID

Bramco Contacts:

19 Aruma Place
 Cardiff, NSW 2285
 AUSTRALIA

Telephone +61 2 4954 4721
 Email sales@bramco.com.au
 www.bramco.com.au

Outline and Dimensions



Toroid Type:	AØ	B	C	D	E	F	Weight
35mm	35	64	74	40	20	32	77g
70mm	70	105	117	40	20	53	135g
120mm	120	155	170	40	20	80	265g
210mm	210	149	304	60*	30	145	1300g

Dimensions in mm

*exc. mounting feet

